

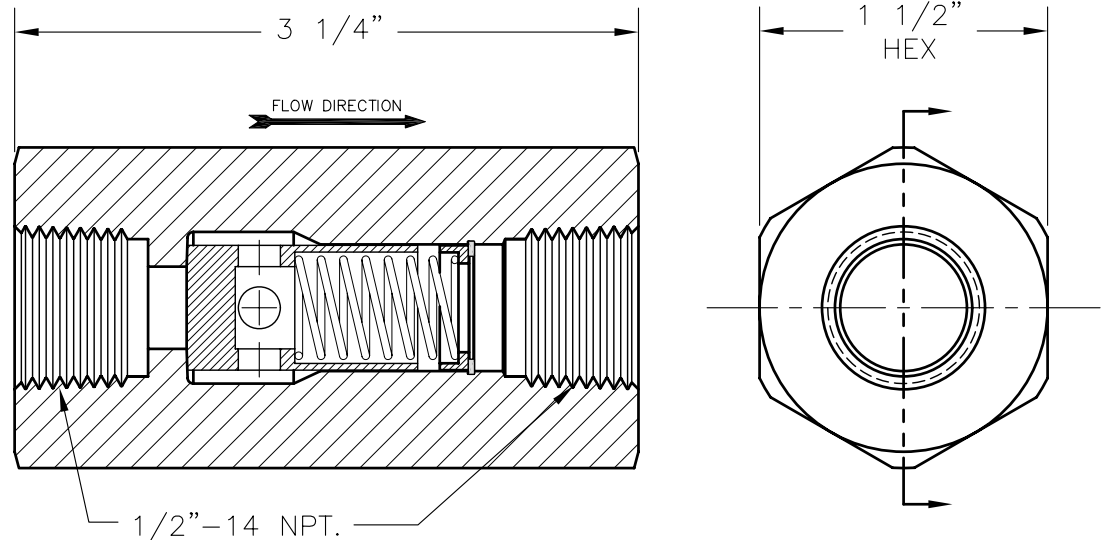
REVISIONS			
ECO	DESCRIPTION	DATE	REV.
DFE	CONVERTED TO ACAD	4-20-07	A
DCR	DESCRIPTION	DATE	REV.
0589	UPDATED MATERIAL OF SPRING	1-26-10	B


MATERIALS OF CONSTRUCTION

DESCRIPTION	PART NUMBER	MATERIAL
1/2" PUMP CHECK BODY	PCH-1-500	CDA 360 BRASS, ASTM B16
1/2" PUMP CHECK POPPET	PCH-2-500	NEOFLON CTFE GRADE M-400-H
1/2" PUMP CHECK RETAINER	PCH-3-500	CDA 360 BRASS, ASTM B16
PUMP CHECK VALVE SPRING	PCH-4-500	PHOSPHOR BRONZE, ASTM B159
SPIRAL RETAINING RING	WH-65-S02	302 STAINLESS STEEL ASTM A313

SPECIFICATION

MAX ALLOWABLE WORKING PRESSURE: 7,000 PSI
 PROOF PRESSURE: 10,500 PSI
 BURST PRESSURE: > 25,000 PSI
 NOMINAL CRACK PRESSURE: 5 PSI
 LEAKAGE: < 10cc PER MIN. @ 50 AND 100 PSI BACK PRESSURE.
 SUITABLE FOR CRYOGENIC SERVICE -420°F TO 200°F.
 FLOW COEFFICIENT $C_v = 3.2$
 ENGRAVE: GENERANT, P/N MAWP 7000 PSI
 -420°F TO 200°F AND FLOW ARROW
 OPTIONS- CLEANED AND BAGGED FOR O₂ SERVICE
 SPECIFY P/N KCV-500B-X



MATL. AS SPECIFIED	APPROVALS	 1/2" CRYOGENIC CHECK VALVE						
TOLERANCE SCHEDULE UNLESS OTHERWISE SPECIFIED	DRAWN H.H.							
FRACTIONAL: ± 1/64" ANGLES: ± 1/2" XX ± .010 XXX ± .005 CONCENTRICITY: .005 T.I.R. FINISHED SURFACES: 63 Ra BREAK CORNERS/EDGES: .016 MAX.	PROD. M.G.					TITLE:		
	ENG. B.B.					SIZE: A	DATE: 11-17-06	DWG. NO. KCV-500B
	MFG. M.G.	SCALE: 1:1	SHEET: 1 OF 1					
	Q.A. S.K.							

THIS DOCUMENT CONTAINS INFORMATION THAT IS CONFIDENTIAL AND PROPRIETARY TO GENERANT CO. INC.. THIS DOCUMENT IS FURNISHED ON THE UNDERSTANDING THAT THE DOCUMENT AND INFORMATION IT CONTAINS WILL NOT BE COPIED OR DISCLOSED TO OTHERS EXCEPT WITH THE WRITTEN CONSENT OF GENERANT. IT WILL NOT BE USED FOR ANY PURPOSE OTHER THAN CONDUCTING BUSINESS WITH GENERANT, AND WILL BE RETURNED AND ALL FURTHER USE DISCONTINUED UPON REQUEST BY GENERANT.